

General Characteristics

Model number (on compressor nameplate)		HRM054U7LC6A
Code number for Singlepack		120U3216
Code number for Industrial pack		
Drawing number		0XR6089B-1
Suction and discharge connections		Brazed
Suction connection		7/8" ODF
Discharge connection		1/2" ODF
Oil sight glass		None
Oil equalization connection		None
Oil drain connection		None
LP gauge port		None
IPR valve		Yes
Swept volume		4.45 in ³ /rev
Displacement @ Nominal speed		448 cfh @ 2900 rpm - 541 cfh @ 3500 rpm
Net weight		82 lbs
Oil charge		53 oz, Alkylbenzene - -
Maximum system test pressure Low Side / High side		- psi / - psi
Maximum differential test pressure		- psi
Maximum number of starts per hour		-
Refrigerant charge limit		12 lbs
Approved refrigerants		R22

Electrical Characteristics

Nominal voltage	500V/3/50Hz - 575V/3/60Hz
Voltage range	450-550 V @ 50Hz - 517-632 V @ 60Hz
Winding resistance between phases 1-2 +/- 7% at 77°F	4.034 Ω
Winding resistance between phases 1-3 +/- 7% at 77°F	4.060 Ω
Winding resistance between phases 2-3 +/- 7% at 77°F	4.120 Ω
Rated Load Amps (RLA)	7 A
Maximum Continuous Current (MCC)	11 A
Locked Rotor Amps (LRA)	53 A
Motor protection	Internal overload protector

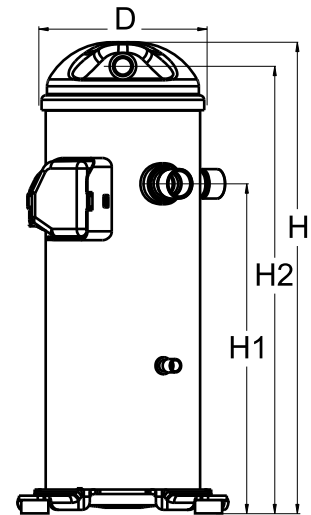
Recommended Installation torques

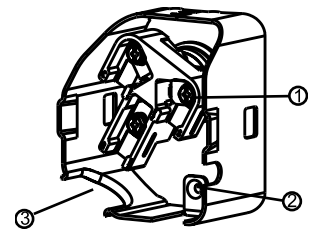
Oil sight glass	39 ft.lbs
Power connections / Earth connection	0 ft.lbs / 0 ft.lbs

Parts shipped with compressor

Mounting kit with grommets and sleeves
Initial oil charge
Installation instructions

Approvals : CE certified, UL certified (file SA11565), -

Dimensions

D=7.2 inch, H=17.9 inch,
H1=11 inch, H2=16.6 inch, H3=- inch

Terminal box


IP22

- 1: Screw connectors 10-32 UNF x 9.5
- 2: Earth connection
- 3: Power cable passage